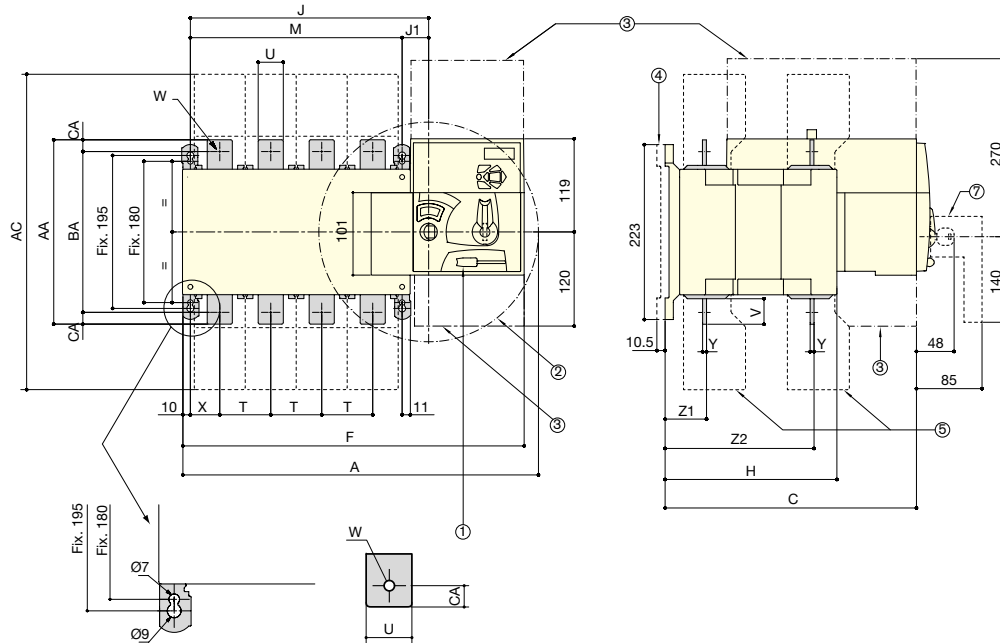


# ATyS 3 and 6

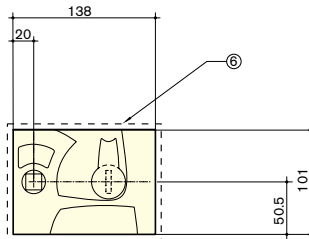
## 125 to 1 600 A

### Dimensions

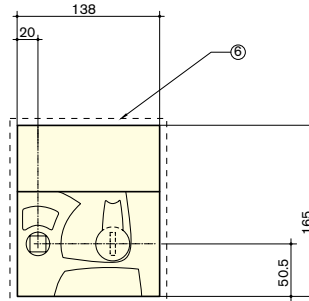
• 125 to 630 A



• ATyS 3s



• ATyS 3e, 6s, 6e, 6m



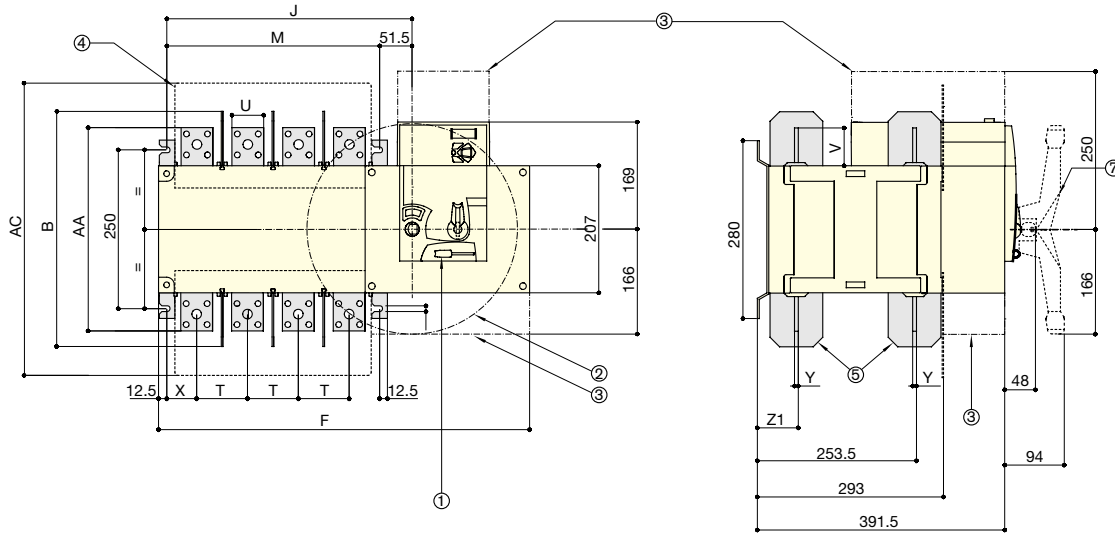
- 1. Locking bracket with 3 padlocks max.
- 2. Maximum handle radius, operating angle 2 x 90°.
- 3. Connection and disconnection area.
- 4. Stand off with mounting spacer accessory.
- 5. Terminal shrouds.
- 6. Cut out.
- 7. Handle.

| Rating (A) | Overall dimensions |       |       | Terminal shrouds |       | Switch body |     |       |       |     | Switch mounting |       |    |    | Connection terminals |    |       |       |     |      |       |     |     |    |
|------------|--------------------|-------|-------|------------------|-------|-------------|-----|-------|-------|-----|-----------------|-------|----|----|----------------------|----|-------|-------|-----|------|-------|-----|-----|----|
|            | A 3p.              | A 4p. | C     | AC               | F 3p. | F 4p.       | H   | J 3p. | J 4p. | J 1 | M 3p.           | M 4p. | T  | U  | V                    | W  | X 3p. | X 4p. | Y   | Z1   | Z2    | AA  | BA  | CA |
| 125        | 304                | 340   | 244   | 235              | 286,5 | 322,5       | 151 | 154   | 184   | 34  | 120             | 150   | 36 | 20 | 25                   | 9  | 28    | 22    | 3,5 | 38   | 134   | 135 | 115 | 10 |
| 160        | 304                | 340   | 244   | 235              | 286,5 | 322,5       | 151 | 154   | 184   | 34  | 120             | 150   | 36 | 20 | 25                   | 9  | 28    | 22    | 3,5 | 38   | 134   | 135 | 115 | 10 |
| 250        | 345                | 395   | 244,5 | 280              | 328   | 378         | 153 | 195   | 245   | 35  | 160             | 210   | 50 | 25 | 30                   | 11 | 33    | 33    | 3,5 | 39,5 | 134,5 | 160 | 130 | 15 |
| 400        | 345                | 395   | 244,5 | 280              | 328   | 378         | 153 | 195   | 245   | 35  | 160             | 210   | 50 | 35 | 35                   | 11 | 33    | 33    | 3,5 | 39,5 | 134,5 | 170 | 140 | 15 |
| 630        | 394                | 459   | 320,5 | 400              | 377   | 437         | 221 | 244   | 304   | 34  | 210             | 270   | 65 | 45 | 50                   | 13 | 42,5  | 37,5  | 5   | 53   | 190   | 260 | 220 | 20 |

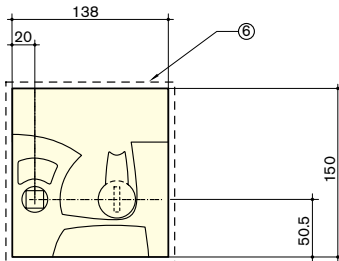


## Dimensions

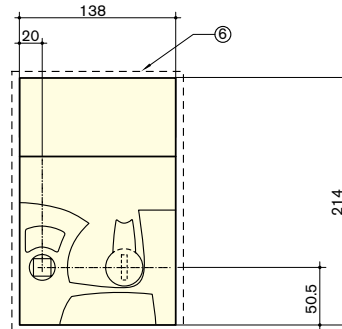
• 800 to 1600 A



• ATyS 3s



• ATyS 3e, 6s, 6e, 6m

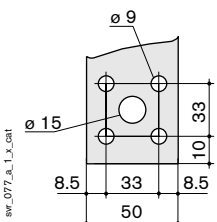


1. Locking bracket with 3 padlocks max.
2. Maximum handle radius, operating angle  $2 \times 90^\circ$ .
3. Connection and disconnection area.
4. Terminal screens.
5. Phase barrier shield.
6. Cut out.
7. Handle.

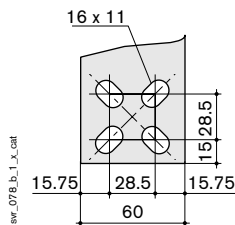
| Rating (A) | Overall dimensions | Terminal shrouds | Switch body |     |       |       | Switch mounting |       | Connection terminals |       |      |    |   |      |     |
|------------|--------------------|------------------|-------------|-----|-------|-------|-----------------|-------|----------------------|-------|------|----|---|------|-----|
|            |                    |                  | B           | AC  | F 3p. | F 4p. | J 3p.           | J 4p. | M 3p.                | M 4p. | T    | U  | V | X    | Y   |
| 800        | 370                | 461              | 504         | 584 | 306,5 | 386,5 | 255             | 335   | 80                   | 50    | 60,5 | 60 | 7 | 66,5 | 321 |
| 1000       | 370                | 461              | 504         | 584 | 306,5 | 386,5 | 255             | 335   | 80                   | 50    | 60,5 | 60 | 7 | 66,5 | 321 |
| 1250       | 370                | 461              | 504         | 584 | 306,5 | 386,5 | 255             | 335   | 80                   | 60    | 65   | 60 | 7 | 66,5 | 330 |
| 1600       | 380                | 481              | 596         | 716 | 398,5 | 518,5 | 347             | 467   | 120                  | 90    | 44   | 66 | 8 | 67,5 | 288 |

### ► Connection terminals

• 800 to 1000 A



• 1250 A



• 1600 A

