

SIRCO VM1

63 to 125 A



Functions

SIRCO VM1 are manually operated tri- or tetrapolar switches.

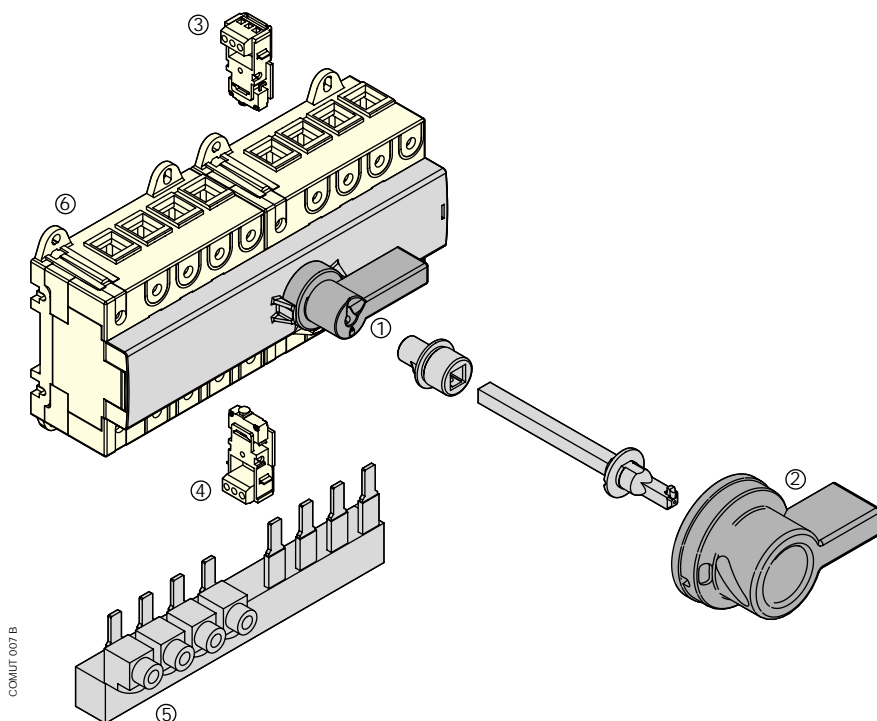
They changeover between two low voltage power circuits under load and provide safety isolation.

Compliance with standards

- IEC 60947-3
- NF EN 60947-3
- VDE 0660 Teil 107 (1992)
- NBN EN 60947-3
- BS EN 60947-3

General characteristics

- Fully visible safety isolation and visible double breaking
- DIN rail, back plate or modular 45 mm front cut-out.



1. Direct front operation
2. External front operation
3. and 4. Pre-break auxiliary contacts
5. Bridging bars
6. DIN rail or back plate mounting.